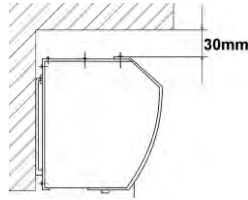


7. The distance between the unit and the ceiling must be at least 30mm.
8. The unit must be installed horizontally.
9. It is recommended to install the unit at height of at least 2.3m above the ground.
10. A triple-pole switch should precede the appliance with at least 3mm breaking gap.



MAINTENANCE AND REPAIR:

1. Unplug the unit from the power source prior to checking or maintaining.
2. Keep electric motor or other parts away from moisture, to avoid short circuit.
3. Regular checking and maintenance is recommended. Clean the dust off. Simply clean with a cloth dampened in mild detergent.
4. Detachment of the unit must be executed only by professionals.

SPECIFICATIONS:

Model No.	Power (W)			Air Velocity (m/s)			Air Vol. (m ³ /h)	Length (mm)	Weight (kg)
	HI	MED	LO	HI	MED	LO			
ARC-8909	465	375	345	20	17.5	15	1425	900	12
ARC-8912	570	490	430				1900	1200	16.0
ARC-8915	750	655	500				2375	1500	20.6

NOTE: Rated voltage and frequency are stated as per rating label.

UNITED

By AMIRIDIS – SAVVIDIS S.A.

Air Curtain Centrifugal Type

Operating Instructions



MODELS: ARC-8909, ARC-8912, ARC-8915
Before using this unit, please read all the instructions carefully.

PRODUCT OUTLINE:

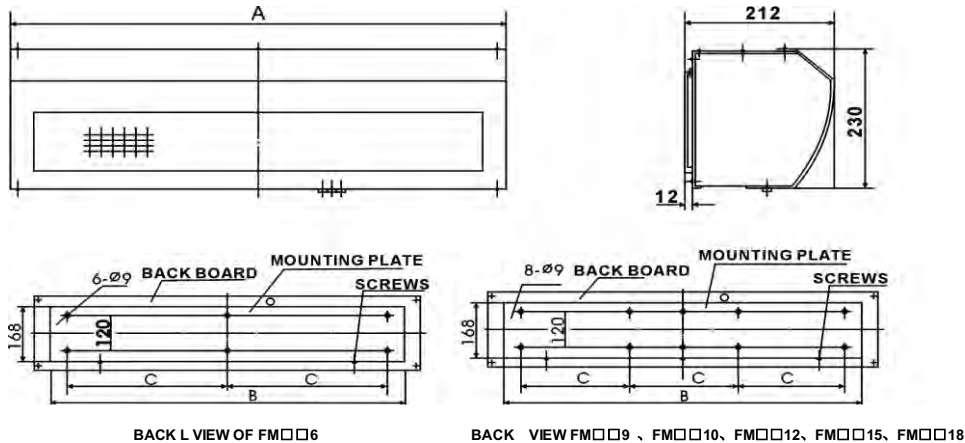
AIR CURTAINS are designed for installation in shop, office building, hotel and restaurant doorways. They discharge a curtain of air, which effectively shuts out outside air. Use them to keep out insects, unpleasant smells, and dust from indoors, where a large number of people pass in and out. Air curtains also prevent air escaping from an air-conditioned room.

CONDITIONS OF USE:

Please **DO NOT** install the unit under following conditions:

1. Do not operate in areas with ambient temperature over 50°C or below -10°C.
2. In steamy areas or areas with relative humidity over 95% at room temperature.
3. In areas containing oily smoke.
4. In areas where materials or gases may cause explosion.
5. Near corrosive gases.
6. In areas where the unit may be sprinkled with water.

DIAGRAM:

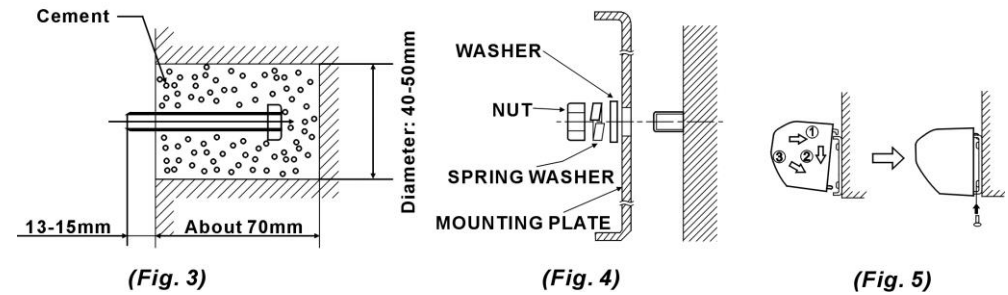
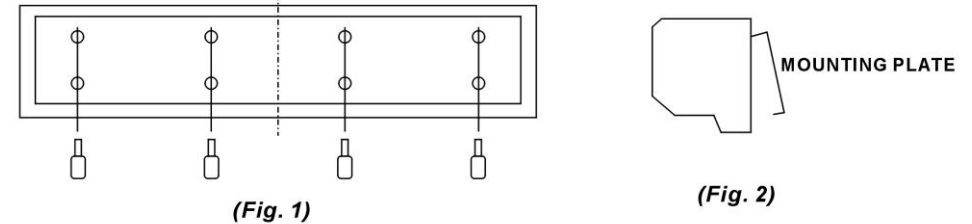


[Dimensions : mm]

Model No.	A	B	C
ARC-8909	900	231.5	216
ARC-8912	1200	231.5	216
ARC-8915	1800	231.5	216

INSTALLATION:

1. Unscrew the mounting plate and take it off. (Fig. 1, Fig. 2)
2. Drill a hole following the instructions, then insert the bolt and fix it with cement. (Fig. 3)
3. Hang the mounting plate and ensure that it is fixed. (Fig. 4)
4. Install the unit onto the mounting plate and ensure that it is safely



fixed. Then tighten the screws. (Fig. 5)

CAUTIONS / INSTALLATION:

During installation, please pay special attention to the following points in order to obtain the ultimate efficiency.

1. Install on solid place to avoid vibrations when machine is running, and also for safety reasons. This way, unnecessary noise caused by vibration can be prevented.
2. **AIR CURTAINS** are designed for indoor use.
3. Choose the most suitable model depending on the height of the room. If the unit is fixed too high, the shut-off distance will be affected and the efficiency will be reduced.
4. The air is drawn in from the front of the unit and is blown out downwards.
5. Several units can be mounted next to each other in case of wide door openings. In this case, there must be a 20-40mm space between them.
6. During installation, there must be no gap between the mounting plate and the wall.

NOTICE ABOUT RECYCLING



Your product is designed and manufactured with high quality materials and components which can be recycled and reused.

This symbol means that electrical and electronic equipment, at their end-of-life, should be disposed of separately from your household waste. Please dispose of this equipment at your local community waste collection/ recycling centre.

In the European Union there are separate collection systems for used electrical and electronic products. Please help us to conserve the environment we live in!

DECLARATION OF CONFORMITY

Herewith, Amiridis-Savvidis S.A. states that this product, complies with the requirements of below directives:

EMC-Directive: 14 / 30 / EU

Low Voltage Directive: 14/ 35 / EU

CE Marking: 93 / 68 / EEC

RoHS Directive: 11 / 65 / EU



The detailed declaration of conformity can be found at www.united-electronics.gr

Exclusive importer in Greece:

Amiridis – Savvidis S.A.

87A, 17th Noemvriou str, P.C. 55534

Thessaloniki – Greece

T: +302310944944 | F: +302310944940

www.amiridis-savvidis.gr