

# INSTRUCTIONS MANUAL

# F&U

## CD-3590BT

COMPACT  
**disc**  
DIGITAL AUDIO

**MP3**  
FileRead



DIGITAL CAR AUDIO SYSTEM WITH BLUETOOTH

## **IMPORTANT NOTICE & PRECAUTIONS**

Thank you for using our company multi-media player! To operate the unit correctly, please read the operation manual carefully before using.

The unit is designed only for DC12V negative ground operation system. Make sure your vehicle is connected to DC 12V negative ground electrical system. Be sure to connect the speaker (-) leads to the speaker (-) terminal. Never connect the left and right channel speaker wires together or to the vehicle body.

The normal temperature for operation is between -20 and +60 degree Celsius. Do not work in extreme high or low temperature and block vents or radiator panels of the unit, blocking them will cause heat to build up inside the unit and may cause damage or fire.

This unit can play the following discs (12 cm) and media files: CD-R/RW / MP3 / WMA.

### **Declaration of Conformity**

This product complies with the requirement of below directives:

EMC Directive: 2004 / 108 / EC

Restriction of Hazardous Substance (RoHS) Directive: 2002/95/EC

### **EXCLUSIVE IMPORTER IN GREECE:**

Amiridis – Savidis S.A.

87A 17th November street – P.C. 55535 – EMO Zone

Pylaia, Thessaloniki, Greece.

Tel: +302310944944, Fax: +302310944940

[www.fandu.gr](http://www.fandu.gr)

## **SPECIFICATION**

### **GENERAL**

Power Requirement DC 12Volts, negative ground

Load Impedance: 4 Ohms

Maximum Power Output: 40 watts x 4 channels

### **FM RADIO SECTION**

Frequency Range: 87.5 – 108MHz (Europe)

### **DISC SECTION**

Disc Play: CD / MP3 / WMA

Mounting Angle: ±30 degree

### **AUDIO SECTION**

Maximum Output Level: 2 Vrms (+/-3 dB)

Frequency Response: 20 Hz to 20 KHz

Signal to Noise Ratio: 85 dB

Channel Separation: 80 dB

Note: Specification and design; functions and features; unit illumination; color and display segment are subject to change without prior notice. Photos and drawings on gift box or operation manual might be varied from the exact unit. Depends the input device, operation might be varied from the operation manual described.

Notice about recycling



Your product is designed and manufactured with high quality materials and components which can be recycled and reused.

This symbol means that electrical and electronic equipment, at their end-of-life, should be disposed of separately from your household waste.

Please dispose of this equipment at your local community waste collection/recycling centre. In the European Union there are separate collection systems for used electrical and electronic products.

Please help us to conserve the environment we live in!

## MAIN UNIT – BLUETOOTH OPERATION

### MODE SELECTION

During unit operation, press **MOD (1)** repeatedly to select the Bluetooth operation mode.

### MICROPHONE

During installation of unit, connect the microphone to the microphone jack at the back of the main unit.

### LINK UP WITH MOBILE PHONE

To link up the Bluetooth connection with the mobile phone, take your phone and follow these steps:

- turn on the Bluetooth operation of your mobile phone
- start to search new device on your mobile phone
- after searched, new device "CAR KIT" searched out, confirm the search
- input the default code "0000" in your mobile phone and confirm the setting
- "BT ON" will appear shortly on **LCD DISPLAY(4)** when the linked-up succeed

### CONNECT / DISCONNECT WITH MOBILE PHONE

When Bluetooth has been connected with mobile phone, once a call is received or dial, the unit will be responded automatically and switched to Bluetooth operation. The unit will be resumed to its original mode when the phone hanged-up.

### CALL PICK UP

When a call is received, the caller ID (if available on the incoming call) will be appeared on the **LCD DISPLAY(4)**. Press **(11)** to pick up the call.

### DIAL OUT

When a phone number is dial out, "CALLING" will be appeared on **LCD DISPLAY(4)**.

### HANG UP / REFUSE CALL

Press **(1)** to hang up or refuse an incoming call. The unit will resume to its original playing mode.

### MUSIC PLAYBACK

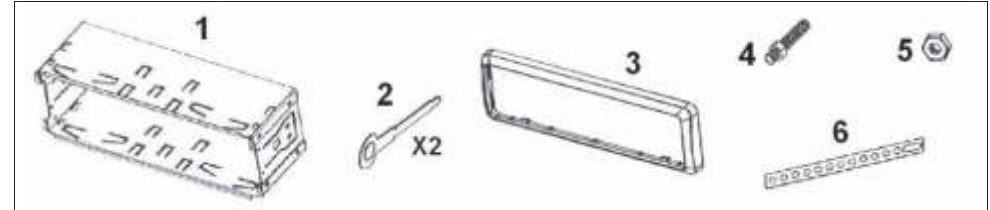
At Bluetooth operation mode and when mobile phone is connected, music playback from the mobile phone will be transmitted to the unit for broadcasting.

### NOTE

Bluetooth operation on the main unit is confined to call pick up, call hang up, refuse call and music playback only.

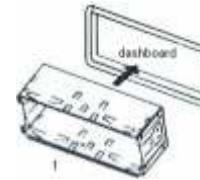
## INSTALLATION

Accessories included in the package for installation



### Mounting Method A

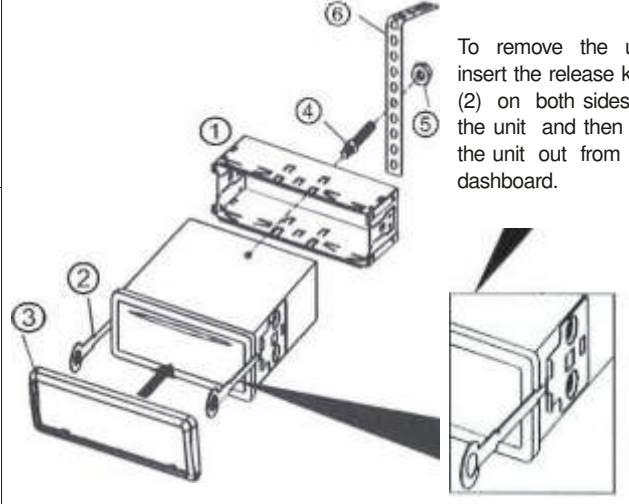
1. Put the mounting sleeve (1) into the dashboard.



2. Band the tabs of the mounting sleeve (1) outward into the dashboard for a secure mounting.



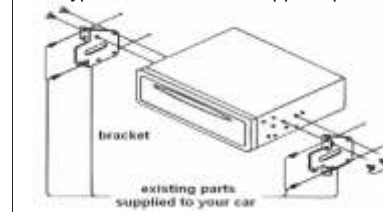
3. If necessary, use the strap (6) to secure the back of the unit in place. The strap (6) can be bent by band to the desired angle.



To remove the unit, insert the release keys (2) on both sides of the unit and then pull the unit out from the dashboard.

### Mounting Method B

This mounting method is used for most Japanese cars. The actual mounting method should depend on the type of cars and the supplied parts.

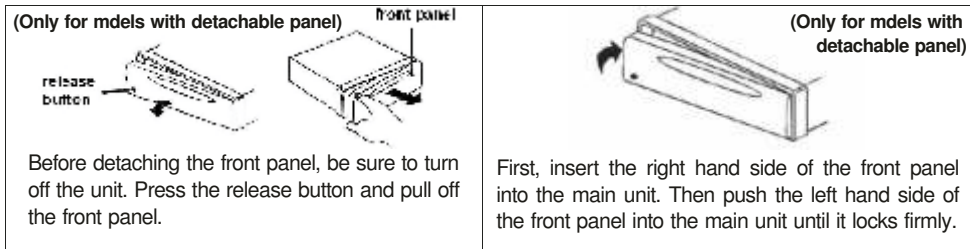


### Note:

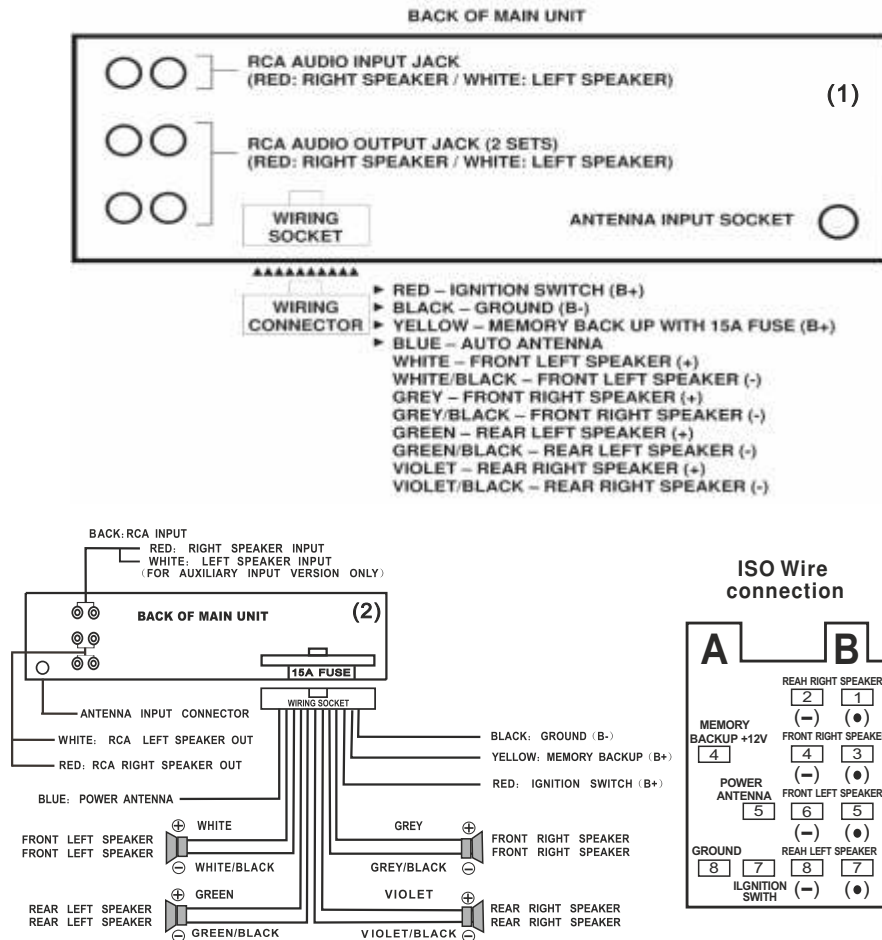
- Store small articles in places not accessible to children
  - Install only with the supplied screws
  - Installation varies on type of cars and supplied parts.
- You should have the unit installed by qualified technician

To Detach the Front Panel

To Replace the Front Panel



## WIRING CONNECTION



15. \* / TA

At Radio Mode, press to turn on or off AF.

16. # / PTY

At Bluetooth Mode, press to is the \* key.

At Audio Mode, press to turn on or off PTY function.

17. 0 / DISP

At Bluetooth Mode, press to is the # key.

Press to show the status of current operation of the unit.

18. VOL+ / VOL-

At Bluetooth Mode, press to is the 0 number key.

19. APS / TITLE

Press to adjust sound output level.

### Radio Mode

Press shortly to scan all the preset stations on selected radio band and stop several seconds for broadcasting. Press and hold for 2 seconds to start search & storing the strongest signal stations into the PRESET MEMORY STATIONS 1-6.

### Disc / USB / SD Input Mode

Press repeatedly to activate different searching modes that may include directory, file, track & time search. Under this mode, rotate & press FUNCTION CONTROL to select track for playback.

20. PRESET MEMORY STATION NO.(1-6)

At radio mode, press any one of the preset number to select a station that had been stored in the memory. Press and hold for 2 seconds of any one of the preset number can store the current broadcasting station in the memory.

Note: Depends on different type of disc and media files that recorded, not all operation as described in the above operation manual can be functioned.

- Count up & down (COUNT UP/ COUNT DOWN): to select the counting up or down of the playing track time.
  - ESP Control(ESP ON/ESP OFF): to turn on or off of ESP (electronic shock protection) control under disc input operation mode.
- DVD / USB / SD Input Mode
- At file / track / time selection mode, press to enter / confirm the selection.
6. **⏮ / 8**  
**⏭ / 9**
- Radio Mode (SEEK 1 Mode)
- Press to start automatic seeking frequency upward or downward to the next strong station received. Press & hold for 2 seconds to activate manual tuning mode. At this mode, press repeatedly to tune the radio frequency upward or downward.
- Radio Mode (SEEK 2 Mode)
- Press repeatedly to turn radio frequency upward or downward. Press & hold for 2 seconds to start automatic seeking frequency upward or downward to the next strong station received.
- Radio Mode (SEEK 3 Mode)
- Press repeatedly to turn radio frequency upward or downward. Press & hold to turn the frequency upward or downward and release when your desired frequency is reached.
- Disc / USB / SD Input Mode:
- Press to shift track upward or downward for playback. Press & hold to start fast forward or fast rewind of the track.
- At Bluetooth Mode, press to is the **8 / 9** number key.
7. EQ  
LOUD
- Press repeatedly to select the desired preset equalization mode.
- Press to select on or off of loudness control.
8. **1 / ⏸**
- At disc / USB / SD input mode, press to start or pause playback.
- At Bluetooth Mode, press to is the **1** number key.
9. **2 / INT**
- At disc / USB / SD input mode, press to start intro playback of each track for 10 seconds.
- At Bluetooth Mode, press to is the **2** number key.
10. **3 / RPT**
- At disc / USB / SD input mode, press to select repeat playback mode.
- At Bluetooth Mode, press to is the **3** number key.
11. **4 / RDM**
- At disc / USB / SD input mode, press to select start random playback of the device.
- At Bluetooth Mode, press to is the **4** number key.
12. **5 / AUDIO**
- At video / music playback mode, each time press & hold shortly to select different audio output channels.
- At Bluetooth Mode, press to is the **5** number key.
13. **6 / ■**
- At disc / USB / SD input playback mode, press to stop playback.
- At Bluetooth Mode, press to is the **6** number key.
14. **7 / AF**
- At Radio Mode, press to turn on or off AF.
- At Bluetooth Mode, press to is the **7** number key.

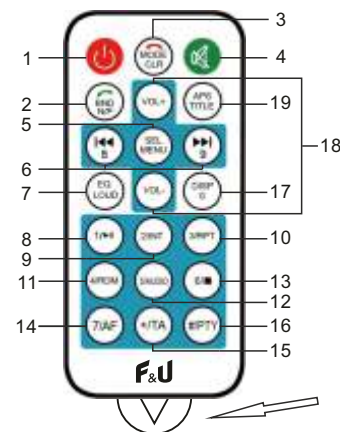
## MAIN UNIT OPERATION

<u>NO / Symbol / Control</u>	<u>Operation &amp; Controls</u>
1. PWR	Press to turn on or off of the unit.
1. <b>⏻ / MOD</b>	When the unit is turned off, press to turn on the unit. When the unit is turned on, press & hold it for 2 seconds to turn off the unit. When the unit is turned on, press repeatedly to select desired mode for operation.
2. IR	Remote control sensor(for signal reception from remote handset).
3. <b>▲</b>	Press to detach the removable front panel from the main unit.
4. LCD DISPLAY	It shows the status of current operation of the unit.
5. FUNCTION CONTROL	<p><u>Volume Control</u></p> <p>Rotate to adjust sound output level.</p> <p><u>Audio Control</u></p> <p>Press repeatedly to activate following control modes and when the desired mode reached, rotate to set or adjust: Bass (BAS) / Treble (TRE) / Balance (BAL) / Fader (FAD) / Loudness (LOUD ON / LOUD OFF) / Preset EQ (CLASSIC / POP / ROCK / DSP OFF) / Local &amp; Distant (LOCAL / DX) / Stereo &amp; Mono (STEREO / MONO) / Volume (VOL)</p> <p>(Note: Local / distant and stereo / mono operate under FM radio mode only)</p> <p><u>Function Control</u></p> <p>Press &amp; hold for 2 seconds to activate various function controls. At this mode, press &amp; rotate to have the following settings and controls:</p> <ul style="list-style-type: none"> <li>- On-volume level selection (VOL LAST / VOL ADJ): to select volume level when the unit turned on again after power off.</li> <li>- Radio band selection &amp; frequency setting (BAND --- / BAND ADJ): to select numbers of AM/FM radio band and range of frequency that suite your country or area.</li> <li>- Radio seel &amp; tuning control (SEEK 1/ SEEK 2/ SEEK3): to select different seeking and tuning modes when using <b>+⏭ / ⏮-</b> control.</li> <li>- Beep sound control (BEEP ON / BEEP OFF): to select on or off of beep sound when control key / knob is pressed / rotated. (Note: only available on the versions come with this function)</li> <li>- Count up &amp; down (COUNT UP / COUNT DOWN): to select the counting up or down of the playing track time.</li> <li>- ESP Control (ESP ON / ESP OFF): to turn on or off of ESP (electronic shock protection) control under disc input operation mode.</li> </ul> <p><u>DVD / USB / SD Input Mode</u></p> <p>At file/track/time selection mode, rotate for selection and press to enter/confirm the selection.</p>
6. <b>ⓧ</b>	Press to turn on or off of sound muting control.
7. DSP	Press repeatedly to select your desired preset equalization mode.
8. LOUD	Press to select on or off of loudness control.
9. CLK	Press to recall time display. Press & hold for 2 seconds to activate clock setting mode and hour digit start blinking. At this mode, rotate & press FUNCTION CONTROL to adjust hour and minute. After setting, press to confirm the setting.
10. MODE	Press to select desired mode for operation.
11. USB	Insert USB device to this slot for digital files playback.
12. SD	Insert SD / MMC card to this port for digital files playback.
13. AUX	Insert an external device to this jack in order to have output of the external device through the unit.

14. DISC SLOT Insert or remove disc from the disc slot.
15. ▲ Press to eject disc from the disc slot.
16. BAND Radio Mode  
Press to select the desired radio band for broadcasting.  
Disc / USB / SD Input Mode  
Press to display ID3 contains of the MP3 files that recorded in the device.
17. APS Radio Mode  
Press shortly to scan all the preset stations on selected radio band and stop several seconds for broadcasting. Press and hold for 2 seconds to start search & storing the strongest signal stations into the PRESET MEMORY STATIONS 1-6.  
Disc / USB / SD Input Mode  
Press repeatedly to activate different searching modes that may include directory, file, track & time search. Under this mode, rotate & press FUNCTION CONTROL to select track for playback.
18. +▶▶ / ◀◀- Radio Mode (SEEK 1 Mode)  
Press to start automatic seeking frequency upward or downward to the next strong station received. Press & hold for 2 seconds to activate manual tuning mode. At this mode, press repeatedly to tune the radio frequency upward or downward.  
Radio Mode (SEEK 2 Mode)  
Press repeatedly to turn radio frequency upward or downward. Press & hold for 2 seconds to start automatic seeking frequency upward or downward to the next strong station received.  
Radio Mode (SEEK 3 Mode)  
Press repeatedly to turn radio frequency upward or downward. Press & hold to turn the frequency upward or downward and release when your desired frequency is reached.  
Disc / USB / SD Input Mode:  
Press to shift track upward or downward for playback. Press & hold to start fast forward or fast rewind of the track.
19. PRESET MEMORY STATION (NO.1- 6) At radio mode, press any one of the preset number to select a station that had been stored in the memory. Press and hold for 2 seconds of any one of the preset number can store the current broadcasting station in the memory.
20. PAU At disc / USB / SD input mode, press to start or pause playback.
21. INT At disc / USB / SD input mode, press to start intro playback of each track for 10 seconds.
22. RPT At disc / USB / SD input mode, press to select repeat playback mode.
23. RDM At disc / USB / SD input mode, press to select start random playback of the device.
24. -10 At disc / USB / SD input mode, press each time to select every 10 tracks downward for playback.
25. +10 At disc / USB / SD input mode, press each time to select every 10 tracks upward for playback.

Note: Depends on different type of discs and media files that recorded, not all operations as described in the above operation manual can be functioned.

## REMOTE HANDSET OPERATION



### BATTERY REPLACEMENT

Refer to the back of remote handset for details on how to replace the batteries.

Remote this tab before using remote control

### NO / Symbol / Control

1. 1
2. BND / N/P / 2
3. MODE / CLK / 3
4. 4
5. SEL / MENU 5

### Operation & Controls

- Press to turn on or off of the unit.
- Radio Mode  
Press to select the desired radio band for broadcasting.
- Disc / USB / SD Input Mode  
Press to display ID3 contains of the MP3 files that recorded in the device.
- Bluetooth Mode  
Press to dial out a phone or pick up a call.
- Bluetooth Mode  
Press to hang up or refuse an incoming call.
- The Other Mode  
Press to select desired mode for operation.
- Press to turn on or off of sound muting control.
- Audio Control  
Press repeatedly to activate following control modes & when the desired mode reached, press VOL+ / VOL- (18) to set or adjust: Bass (BAS) / Treble (TRE) / Balance (BAL) / EQ (CLASSIC / POP / ROCK / DSP OFF) / Volume (VOL)
- Function Control  
Press & hold for 2 seconds to activate various function control. At this mode, press SEL / MENU (5) & VOL+ / VOL- (18) to have the following settings and controls:
- On-volume level selection (VOL LAST/ VOL ADJ): to select volume level when the unit turned on again after power off.
  - Radio band selection & frequency setting (BAND --- / BAND ADJ): to select numbers of AM/FM radio band and range of frequency that suite your country or area.
  - Radio seek & tuning control (SEEK 1 / SEEK 2 / SEEK 3): to select different seeking and tuning modes when using ◀◀ / ▶▶ (6) control.
  - Beep sound control (BEEP ON / BEEP OFF): to select on or off of beep sound when control key / knob is pressed / rotated. (Note: only available on the versions come with this function)