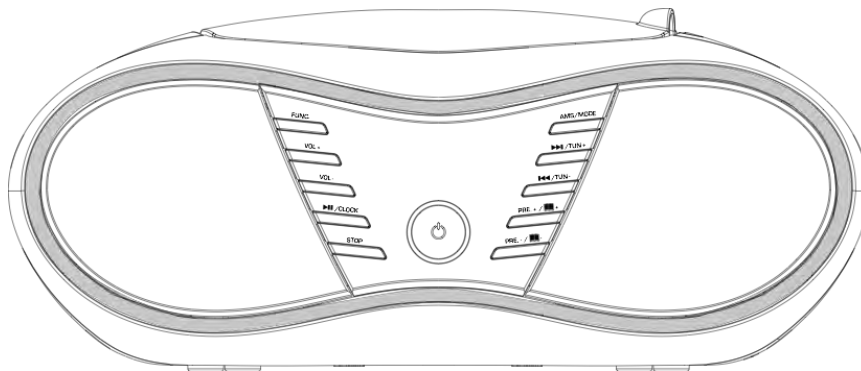




RCD9043BT



SD/USB/MP3/CD/FM Radio Portable Boombox

With Bluetooth Function

Instruction Manual

Thank you for choosing our product. We hope you enjoy using the device.

Symbols in these Instructions

Important information for your safety is specially marked. It is essential to comply with these instructions in order to avoid accidents and prevent damage to the machine:

WARNING:

This warns you of dangers to your health and indicates possible injury risks.

CAUTION:

This refers to possible hazards to the machine or other objects.

NOTE: This highlights tips and information.

General Safety Instructions

Read the operating instructions carefully before putting the appliance into operation and keep the instructions including the warranty, the receipt and, if possible, the box with the internal packing. If you give this device to other people, please also pass on the operating instructions.

- To avoid the risk of fire or an electric shock, you should not expose the device to rain or moisture. Consequently do not use the device in the immediate vicinity of water
 - for example near a bath tub, a swimming pool or in a damp cellar.
- Do not use the device in extremely hot, cold, dusty or damp places.
- Only use the device for private use and the intended purpose. This device is not intended for commercial use.
- Ensure that the power cord is not kinked, trapped or brought into contact with heat sources.
- Ensure that the power cord does not present a tripping hazard.
- Never touch the power plug or the cable with wet hands.
- Only connect the device at a properly installed plug socket. Pay attention that the specified voltage corresponds to the voltage of the plug socket.
- The power cord must always be easily accessible.
- Always insert the batteries correctly.
- Do not cover up any ventilation openings with objects such as newspapers, tablecloths, curtains, etc.
- This appliance shall not be exposed to dripping or splashing water and that no object filled with liquids such as vases shall be placed on apparatus.
- Exposed ignition sources such as burning candles may not be placed onto the device.
- Never open the housing of the device. Incorrect repair can constitute a considerable risk for the user. Should the device become damaged, in particular the mains supply cable, do not operate the device any longer, but rather have it repaired by an expert. Check the mains supply cable regularly for damage.
- For safety reasons a broken or damaged mains lead may only be replaced by an equivalent lead from the manufacturer, our customer service department or qualified person.

- If the device is not used for a longer period, remove the plug connector from the plug socket or take out the batteries.

These symbols may be found on the machine and are intended to indicate the following:



The lightning symbol should advise the user of parts in the inside of the device which carry dangerously high voltage levels.



The symbol with an exclamation mark should advise the user of important operation or maintenance instructions in the accompanying documentation.



Devices bearing this symbol work with a “class 1 laser” for tracing the CD. The built-in safety switches should prevent the user being exposed to dangerous laser light, which is invisible to the human eye, when the CD compartment is opened.

These safety switches must not be by passed or altered; otherwise there is a risk of being exposed to the laser beam.

Children and Frail Individuals

- In order to ensure your children’s safety, please keep all packaging (plastic bags, boxes, polystyrene etc.) out of their reach.

WARNING!

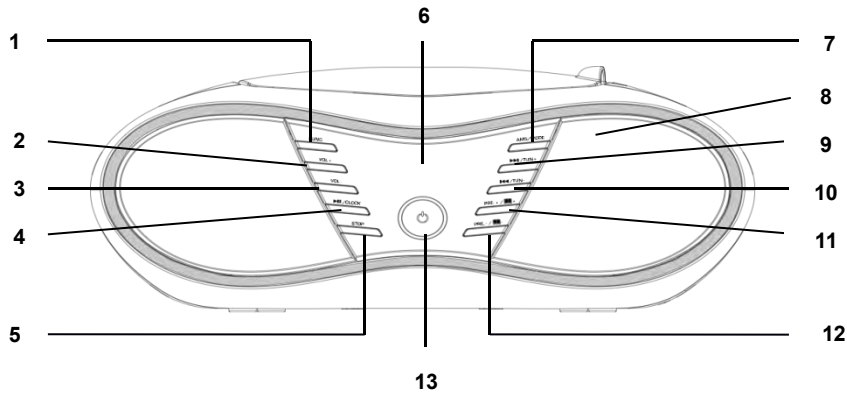
Do not allow small children to play with the foil. There is a danger of suffocation!

- This device is not intended for use by persons (including children) with reduced physical, sensory or mental capabilities, or lack of experience and knowledge, unless they have been given supervision or instruction concerning use of the appliance by a person responsible for their safety.
- Children should be supervised to ensure that they do not play with the appliance.

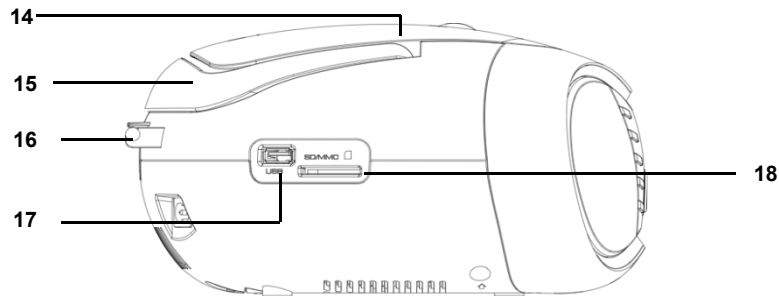
Special safety information

This device works with a class 1 laser.

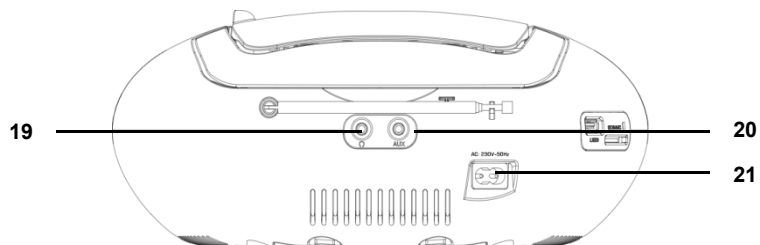
Overview of the Components



- | | |
|--------------------------------|----------------------------|
| 1. FUNCTION button | 8. SPEAKER |
| 2. VOLUME+ button | 9. SKIP+ / TUNING+ button |
| 3. VOLUME- button | 10. SKIP- / TUNING- button |
| 4. PLAY / PAUSE / CLOCK button | 11. PRE.+ / FOLDER+ button |
| 5. STOP button | 12. PRE.- / FOLDER- button |
| 6. LCD DISPLAY | 13. STANDBY button |
| 7. AMS / MODE button | |



- | | |
|----------------|------------------|
| 14. CD DOOR | 17. USB JACK |
| 15. HANDLE | 18. SD CARD SLOT |
| 16. FM ANTENNA | |



- | | |
|--------------------|---------------|
| 19. HEADPHONE JACK | 21. AC SOCKET |
| 20. AUX-IN JACK | |

Start-up of the device/introduction

- Select a suitable location for the device, such as a dry, flat, non-slip surface on which it is easy to operate the machine.
- Ensure that the device is sufficiently ventilated.
- Remove the protective film from the display if it is still present.

Power Supply

- Ensure that the voltage is the same as that indicated on the model identification plate.
- Connect the power cable supplied (see battery compartment if necessary) to a properly installed safety power socket and the mains connector AC on the back of the machine.

Inserting the Batteries (not supplied)

1. Open the lid of the battery compartment.
2. Insert 6 batteries of type UM-2 ("C" size) 1.5 V. Please ensure that the polarity is correct (see the floor of the battery compartment)!
3. Then close the battery lid.

NOTE:

When a mains cable is connected the batteries are automatically switched off.

CAUTION:

- Batteries can leak and lose battery acid. When not using the system for a long period of time, remove the batteries.
- Different battery types or new and used batteries must not be used together.
- Do not dispose of batteries with household waste. Return old batteries to the respective collection facilities or your dealer.

WARNING:

The batteries shall not be exposed to excessive heat such as sunshine, fire or the like. Danger of explosion!

Setting the clock

The system must be in standby mode in order to set the clock.

1. Press and hold the "PLAY / PAUSE / CLOCK" button for approx.2 seconds.
2. Use the "SKIP+ / TUNING+" & "SKIP- / TUNING-" buttons to set the time format "12 / 24hr".
3. Press the "PLAY / PAUSE / CLOCK" button to confirm time format.
4. Use the "SKIP+ / TUNING+" & "SKIP- / TUNING-" buttons to set the hours accordingly. The hour digits start flashing.
5. Press "PLAY / PAUSE / CLOCK" button to confirm the hour.
6. The minute digits start flashing. Use the "SKIP+ / TUNING+" & "SKIP- / TUNING-" buttons to set the minute accordingly.
7. Use the "SKIP+ / TUNING+" & "SKIP- / TUNING-" buttons to set the minute accordingly.
8. Press "PLAY / PAUSE / CLOCK" button to confirm the minute.

NOTE:

- The clock time settings will be erased in the event of power interruptions.
- Press and hold the "PLAY / PAUSE / CLOCK" button during operation order to briefly display the current time.

Volume

You can set the desired volume with the "VOLUME+" & "VOLUME-" buttons.

Listening to the Radio

1. Select the RADIO mode with the "FUNCTION" button.
2. For FM reception: Completely extend the telescopic antenna. Change its position to improve the reception.
3. There are two options to search for and preset radio stations.

• Automatic scan:

Important! Any preset radio stations will be overridden.

Press and hold the "AMS / MODE" button for approx.3 seconds. The system scans the entire frequency band for radio stations. Any stations found will be preset from lowest to highest frequency.

•Manual scan for audio stations:

Briefly press the "SKIP+ / TUNING+" & "SKIP- / TUNING-" buttons, until you have found the radio station which you are looking for. If you keep one of the buttons pressed down, the device will search to the previous, respectively next radio station.

Preset station:

1. Press and hold the "AMS / MODE" button on unit for about 2-3 seconds to start the automatic preset process.
2. Display will show the memory sequence number and radio stations will be automatically preset into the sequence number (Note: Each sequence number means 1 preset station while during automatic preset process.)
3. Once all the stations were automatic preset, press the "PRE.+ / FOLDER+" or "PRE.- / FOLDER-" buttons to choose preset stations.

Playing CDs/MP3

1. Select the CD mode with the "FUNCTION" button.
2. Open the CD compartment by pulling the lid upwards by the tab.
3. Insert an audio CD with the printed side facing upwards on to the central cone so that the CD clicks into place and then close the lid of the CD compartment.
4. After a few seconds the total number of songs/tracks is shown in the display.

NOTE:

In the case of CDs in MP3 format the number of folders is briefly displayed at first.

5. The CD will play from the first title.
6. In order to remove a CD, please press the STOP button, open the CD compartment and lift the CD out carefully.

Always keep the CD deck closed.

NOTE:

•if a disc is inserted the wrong way around, respectively if no disc is inserted, then the message "NO " appears on the display.

• Playback of CDs produced by the user cannot be guaranteed due to the large variety of software and CD media available.

Playing music via USB

This device has been developed in line with the latest technical advances in the USB field. The wide range of different USB storage devices of all types which are currently on the market, unfortunately do not allow us to guarantee full compatibility with all USB storage devices. For this reason, in rare cases there may be problems in playing back files from USB storage devices. This is not a malfunction of the device.

1. Select the USB mode with the "FUNCTION" button.
2. Connect a USB storage device directly into the port. The display briefly shows the number of folders and then the total number of tracks. Playback will automatically start after a few seconds.

For operation, please refer to the section "Description of the control buttons".

NOTE:

- Always directly connect a USB storage medium to the USB port to prevent any malfunctions.
- The USB port is not designed for charging external devices.

CAUTION:

Switch the device to a different operating mode before you remove the USB storage device

Playing music via SD

This device has been developed in line with the latest technical advances in the SD field. The wide range of different SD storage devices of all types which are currently on the market, unfortunately do not allow us to guarantee full compatibility with all SD storage devices. For this reason, in rare cases there may be problems in playing back files from SD storage devices. This is not a malfunction of the device.

1. Select the SD mode with the "FUNCTION" button.
2. Connect a SD storage device directly into the port. The display briefly shows the number of folders and then the total number of tracks. Playback will automatically start after a few seconds.

For operation, please refer to the section "Description of the control buttons".

CAUTION:

Switch the device to a different operating mode before you remove the SD storage device

Description of the control buttons

NOTE:

Not all the functions may be supported depending on the playback device.

PLAY / PAUSE / CLOCK

- You can briefly interrupt and resume playback using this button. The display shows the elapsed playback time flashing. Pressing again continues playback.
- Press and hold this button during operation to briefly display the current time.

SKIP +&SKIP -

With SKIP + you can jump to the next or previous track etc.

- If the button is kept pressed down, the machine starts to search through the tracks.

The SKIP - button can be used as follows:

Press once = This starts the current track again from the beginning.

Press twice = This jumps back to the previous track.

STOP

The playback is stopped.

MODE

- In stop mode for programming any order of tracks (see the section on "Programmed Play").

During the playback of an audio CD:

Press once = the current track is repeated continuously. The symbol "REP" start flashing.

Press twice = the whole CD is played continuously. The symbol "REP" appears in the display.

Press three times = all tracks will be played in random order. The symbol "RAND" appears in the display.

Press four times = all functions are cancelled. The normal play mode is resumed.

During playback of MP3 music:

Press once = the current track is repeated continuously. The symbol "REP" start flashing.

Press twice = the selected folder is repeated continuously. The symbol "REP FOLDER" appears in the display.

Press three times = all music titles are repeated continuously. The symbol "REP" appears in the display.

Press four times = all tracks will be played in random order. The symbol "RAND" appears in the display.

Press five times = all the functions are deactivated. Playback is continued normally.

PRE-/FOLDER- / PRE+/FOLDER+

Use the "PRE.+ / FOLDER+" or "PRE.- / FOLDER-" buttons to select another folder. The music in the selected folder is played back.

Programmed Play

This can be used to program any desired sequence of tracks.

1. Press the "STOP" button.
2. Press the "AMS / MODE" button. "P01" (Storage space) and the notification "PROG" will appear in the display.

Use the "SKIP+ / TUNING+" & "SKIP- / TUNING-" buttons to select the desired track and then press the "AMS / MODE" button again.

The display changes to memory slot P02.

3. Select the next track with the "SKIP+ / TUNING+" & "SKIP- / TUNING-" buttons and press the "AMS / MODE" button again. Repeat the procedure until all the desired tracks are selected.

NOTE:

Once the storage capacity of the tracks to be programmed has been reached "FUL" flashes in the display.

4. Press the "PLAY / PAUSE / CLOCK" button. The playback starts.
The notification "PROG" will appear additionally in the display.
5. Press once the button to stop the playback while retaining the program.
6. To play the programmed back again, press the "PLAY / PAUSE / CLOCK" button.
7. To delete the program, press the "STOP" button twice. The notification "PROG" will disappear.

Playing back Music in MP3 Format

With this device it is possible to play back pieces of music in MP3 format. The device also supports all standard CD types:

CD, CD-RW, CD-R.

This machine is able to play MP3 CDs. Up to 99 tracks can be compressed and stored on these CDs. Your machine detects an MP3 CD automatically (the total number of tracks and MP3s appears in the display). If you would like to play one of these CDs, proceed as described under "Playing CDs/MP3". Tracks can be programmed as described under "Playing Back Programmed Tracks".

To play back music via Bluetooth

Logging on devices (Pairing)

Before you listen to music via the unit, you must pair the devices.

1. Ensure, that the Bluetooth function is activated in your player (e.g. mobile phone). For this, refer to the operation manual of your player.
2. Select the Bluetooth mode with the "FUNCTION" button.
3. Choose the Bluetooth menu in your player and register the device in your player. For this, refer to the operation manual of your player. The device "**RCD9043BT**" will show in your player as a selection. For the further procedure, please refer to the user manual of the playback unit. If possible, adjust the volume of the external unit to a comfortable level.

NOTE:

• Only one playback device may be connected with the music center at one time. If the music center is already connected with a different playback device, the music center will not appear in the BT selection menu.

AUX IN socket

Via this socket you can also hear the sound of other playback devices such as MP3players, CD players etc. through the loudspeakers.

1. Please connect the external device with a 3.5 mm stereo jack plug to the AUX-IN socket.
2. Repeatedly press the "FUNCTION" button, until "AUX" is shown in the display.
3. You will hear the sound playback from the external device through the loudspeakers. You may adjust the volume with "VOLUME+" & "VOLUME-" buttons. The CD buttons are not functional.
4. For the remaining procedure please see the operating instructions of the external sound source.

NOTE:

Adjust the volume of the external device to a comfortable level.

Headphone socket

To listen to music privately, use headphones with a 3.5 stereo jack plug and connect to the headphones socket on the back of the system. The speakers will then be muted.

NOTE:

Adjust the volume of the external device to a comfortable level.

Cleaning and Maintenance

WARNING:

Do not immerse the device in water.

- Always remove the mains plug before cleaning the machine.
- Any marks on the surface can be wiped off with a slightly damp cloth without any additives.

NOTICE ABOUT RECYCLING



Your product is designed and manufactured with high quality materials and components which can be recycled and reused.

This symbol means that electrical and electronic equipment, at their end-of-life, should be disposed of separately from your household waste. Please dispose of this equipment at your local community waste collection/ recycling centre.

In the European Union there are separate collection systems for used electrical and electronic products.

Please help us to conserve the environment we live in!

DECLARATION OF CONFORMITY

Herewith, Amiridis-Savvidis S.A. states that this product, complies with the requirements of below directives:

RED Directive 14/53/EU

ErP Directive 09/125/EC

RoHS Directive 11/65/EU

CE-marking Directive 93/68/EEC

The detailed declaration of conformity can be found at www.fandu.gr



Exclusive importer in Greece:

Amiridis – Savvidis S.A.

87A, 17th Noemvriou str, P.C. 55534

Thessaloniki – Greece

T: +302310944944 | F: +302310944940

www.amiridis-savvidis.gr