

UNITED®



52" Ceiling Fan with lamp

Model : UCF-699

Instructions Manual

**Read these instructions before use.
Keep these instructions in safe place for future reference.**

SAFETY INSTRUCTIONS

Warning: To reduce the risk of fire, electric shock, or personal injury, read the following instructions very carefully:

READ THESE INSTRUCTIONS

1. The fan should not be connected to any power point. Install the fan on the ceiling.
2. The minimum distance between the blades and the floor must be 2.3m. If you use a hook to hang the fan, the maximum weight capacity is 100kg.
3. Make sure that you cap with wire connectors. Make sure to cap the wires you will not use with a wire connector.
4. Disconnect the fan from the mains power before mounting or repairing.
5. The cable must be properly earthed in order to avoid any risk of electrocution.
6. Installation by a qualified electrician is highly recommended.
7. Never install the fan in a room with a high degree of humidity.
8. Be careful when you are close to the fan blades.
9. If the supply cord is damaged it must be replaced by the manufacturer, its service agent or similarly qualified persons in order to avoid a hazard.
10. This appliance must be installed following the national regulations for electrical installation.
11. This appliance is designed for dry places (Don't use in wet places).
12. This appliance is not intended for use by persons (including children) with reduced physical, sensory or mental capabilities, or lack of experience and knowledge, unless they have been given supervision or instruction concerning use of the appliance by a person responsible for their safety.
13. Children should be supervised to ensure that they do not play with the appliance.
14. **WARNING:** In order to ensure children's safety, please keep the contents of the package out of their reach (plastic bags, polystyrene, boxes etc.).
15. **Important:** always turn off the electricity supply to the ceiling fan during installation or maintenance. It is recommended to remove the fuse or turn off the circuit – breaker connector when handling (switching it off is not enough).
16. Before operation make sure that all connections are secured, to prevent the fan from falling.

DIRECTION SWITCH

In cold weather: Push the switch to the right so that the blades rotate clockwise.

In hot weather: Push switch to the left so that the blades rotate anti-clockwise.

NOTE: The fan must be turned off and stopped before reversing the direction.

TRANSMITTER FUNCTIONS

To operate the ceiling fan using the remote controller, you should hold the transmitter pointing to the I.R. Sensor.

ON: Turns on the ceiling fan

OFF: Turns the ceiling fan off.

HI: Turns on the ceiling fan at high speed.

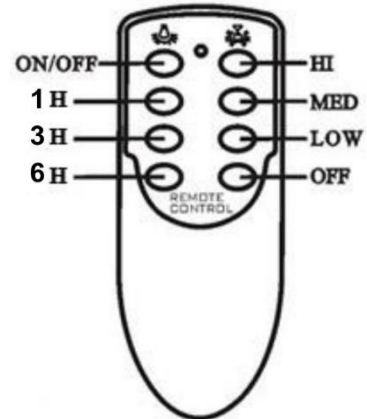
MED: Turns on the ceiling fan at medium speed.

LOW: Turns on the ceiling fan at low speed.

LIGHT ON: Turns on the light.

LIGHT OFF: Turns off the light.

Use the timer to turn OFF the fan after a specific period of time by pressing the relative button on the remote control (1H for 1 hour, 3H for 3 hours, 6H for 6 hours).



WIRING INSTALLATION INSTRUCTIONS:

ATTENTION

Incorrect wiring connection will damage this receiver.

1. The ceiling fan must be set at HIGH after installation.
2. Make the wiring connection as shown in Fig. 1.1 and 1.2. The IR sensor must be stuck outside the canopy. Its position depends on IR receiving condition (Fig. 2).

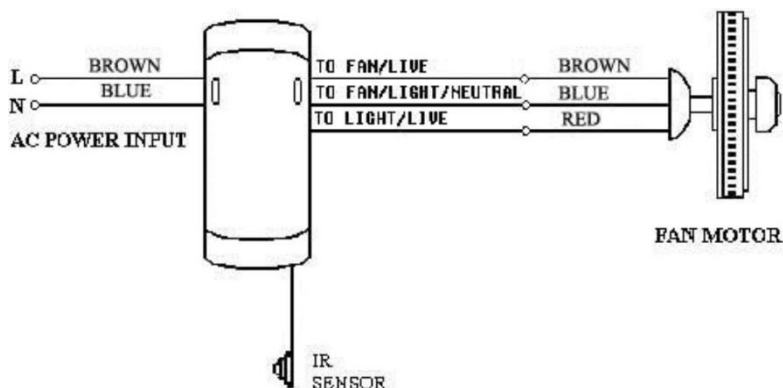


Fig. 1.1

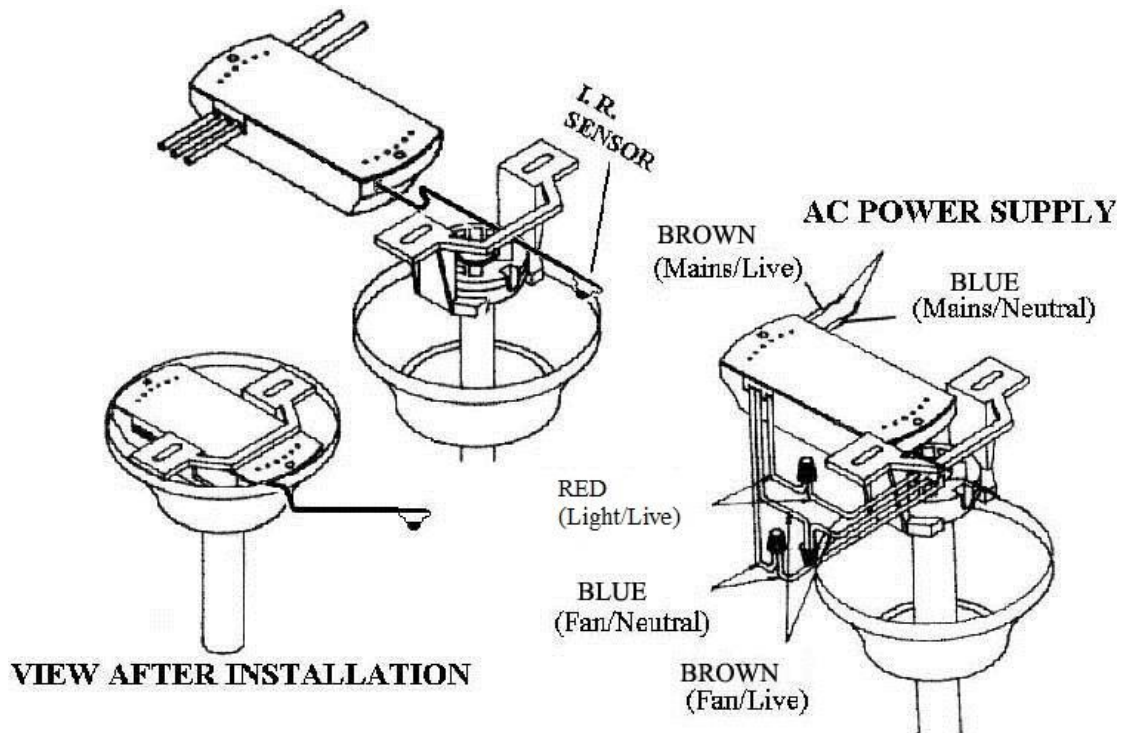


Fig. 1.2

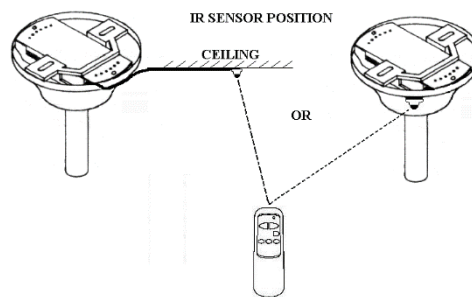


Fig. 2

3. Once the connection has been made, the receiver needs to be inserted into the drop rod hanging bracket. The canopy comes up to cover the receiver and bracket (Fig. 1.2).
4. In order to replace the batteries, open the battery housing cover by sliding out the cover downward to the arrow shown direction, while pressing down the cover with your thumb. (1.5V/ AAA, 2PCS) (Fig. 3) Holder for transmitter: if desired, install onto the wall with screws. (Fig. 4)

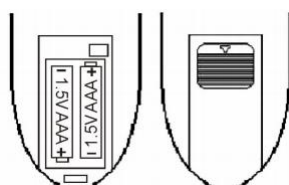


Fig. 3

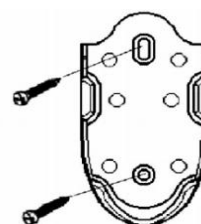


Fig. 4

MAINTENANCE

In order to replace the light bulb:

1. Switch the device off (preferably, turn it off at the circuit breaker) and leave it to cool down. (Caution: light bulbs can get very hot when in use.)
2. Remove the bulb by holding it firmly and turning it anti-clockwise.
3. Take a new bulb and place it carefully into its holder. Screw it in clockwise.
4. Put the power supply on again and switch on.

Note: Suitable lamps for this fan are E14 lamps (Max. 2x40W)

CLEANING

To clean the ceiling fan, use a soft, dry cloth. Do not use scouring pads, abrasive or chemical cleaners. Do not allow condensation come in contact with the electrical components of the appliance.

NOTICE ABOUT RECYCLING



Your product is designed and manufactured with high quality materials and components which can be recycled and reused. This symbol means that electrical and electronic equipment, at their end-of-life, should be disposed of separately from your household waste. Please dispose of this equipment at your local community waste collection/ recycling centre.

In the European Union there are separate collection systems for used electrical and electronic products.

Please help us to conserve the environment we live in!

DECLARATION OF CONFORMITY

Herewith, Amiridis-Savvidis S.A. states that this product, complies with the requirements of below directives:

EMC-Directive: 14 / 30 / EU

Low Voltage Directive: 14/ 35 / EU

CE Marking: 93 / 68 / EEC

RoHS Directive: 11 / 65 / EU

The detailed declaration of conformity can be found at

www.united-electronics.gr



Exclusive importer in Greece:

Amiridis – Savvidis S.A.

87A, 17th Noemvriou str, P.C. 55534

Thessaloniki – Greece

T: +302310944944 | F: +302310944940

www.amiridis-savvidis.gr